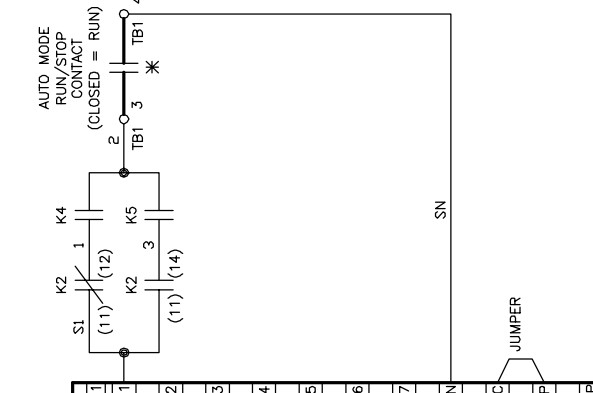
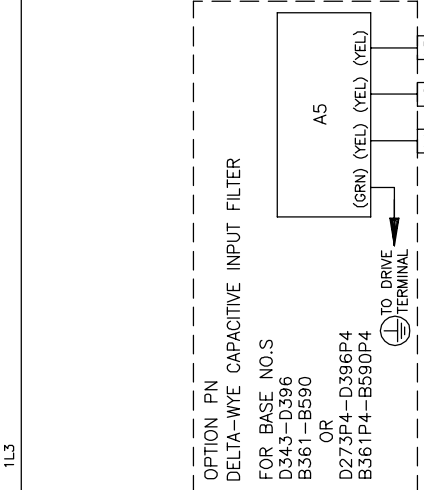
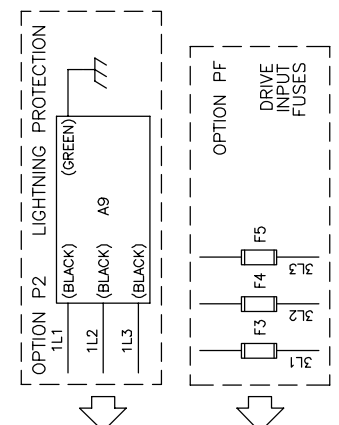
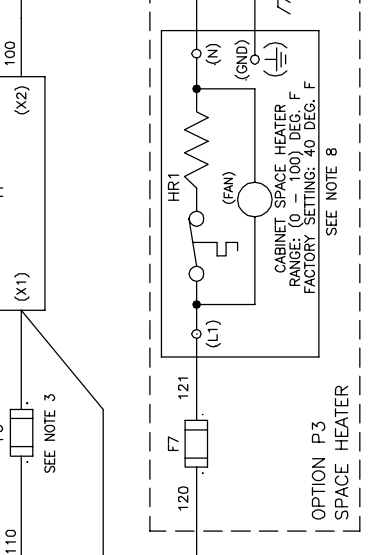


CONTROL TRANSFORMER PRIMARY CONNECTIONS	
INPUT VOLTS	JUMPER LOCATION
208	A
460/480	B
	(H1)
	(H2)
	(H3)
	(H4)
	(H2) TO (H3)



- NOTES:
- CUSTOMER TO CONNECT THE CABINET GROUND LUGS TO EARTH GROUND AND UTILITY GROUND.
  - WITHOUT THE INPUT CIRCUIT BREAKER OPTION PC OR PM, OR WHEN NOTED ON THE CABINET DATA NAMEPLATE, BRANCH CIRCUIT PROTECTION MUST BE SUPPLIED BY THE INSTALLER.
  - WITH A CONTROL TRANSFORMER, T1, POWER RATING 350VA OR GREATER, SECONDARY FUSE F6 IS ADDED.
  - FOR 208VAC APPLICATIONS, SET E1-01 TO 208 AND SET E1-05 TO 208.
  - SET DRIVE PARAMETER H2-03 TO 0, FOR DRIVE RUNNING.
  - FOR SPEED POT OPTION TZ, SET L4-05 TO 0 AND S5-01 TO 1.
  - STANDARD FITTINGS/HUBS SHALL COMPLY WITH THE FITTINGS, UL 514B, OR CONDUIT FITTINGS HAVING THE SAME ENVIRONMENTAL RATING AS THE ENCLOSURE SHALL BE USED.
  - CUSTOMER TO ADJUST THE THERMOSTAT ON THE SPACE HEATER HR1 FOR THE MINIMUM DESIRED TEMPERATURE INSIDE THE DRIVE CABINET. THIS SET TEMPERATURE IS NORMALLY SELECTED TO BE SLIGHTLY HIGHER THAN THE MINIMUM AMBIENT TEMPERATURE OF THE AIR SURROUNDING THE CABINET, AND IS THE TEMPERATURE AT WHICH THE SPACE HEATER HR1 WILL SHUT OFF.

\* - INDICATES COMPONENTS NOT SUPPLIED BY YASKAWA.  
 - - INDICATES CUSTOMER WIRING.  
 // - CONNECTED TO THE CABINET OR PANEL.

REV.	DESCRIPTION	ECO #	DATE	DATE	DATE	DATE	DATE	DATE
02	ADDED NOTE FOR OPTION TZ PARAMETER CHANGES	5161	D.CMELAK	03/28/14	D.PACKER	02/17/14	D.CMELAK	02/17/14
01	REMOVE WIRE# T1 GROUND WIRE	5016	D.PACKER	02/17/14	K.FUERL	02/17/14	D.CMELAK	02/17/14
00	INITIAL RELEASE		D.CMELAK	7/24/13	D.CMELAK	7/24/13	D.CMELAK	7/24/13

D. CMELAK	7/24/13	D. CMELAK	7/24/13	7/24/13	7/24/13
D. PACKER	7/24/13	D. PACKER	7/24/13	D. PACKER	7/24/13
K. FUERL	02/17/14	K. FUERL	02/17/14	K. FUERL	02/17/14
D. CMELAK	7/24/13	D. CMELAK	7/24/13	D. CMELAK	7/24/13

REV.	DESCRIPTION	ECO #	DATE	DATE	DATE	DATE	DATE	DATE
02	ADDED NOTE FOR OPTION TZ PARAMETER CHANGES	5161	D.CMELAK	03/28/14	D.PACKER	02/17/14	D.CMELAK	02/17/14
01	REMOVE WIRE# T1 GROUND WIRE	5016	D.PACKER	02/17/14	K.FUERL	02/17/14	D.CMELAK	02/17/14
00	INITIAL RELEASE		D.CMELAK	7/24/13	D.CMELAK	7/24/13	D.CMELAK	7/24/13

**YASKAWA**  
 THIS DOCUMENT AND INFORMATION CONTAINED HEREIN IS CONFIDENTIAL AND CANNOT BE REPRODUCED OR DISCLOSED IN WHOLE OR IN PART WITHOUT THE EXPRESS WRITTEN CONSENT OF YASKAWA AMERICA INC.

DATE: 7/24/13  
 FILE: SCHEMATIC DIAGRAM Z1000 CONFIGURED

DATE: 7/24/13  
 DATE: 7/24/13  
 DATE: 7/24/13  
 DATE: 7/24/13  
 DATE: 7/24/13  
 DATE: 7/24/13  
 DATE: 7/24/13  
 DATE: 7/24/13  
 DATE: 7/24/13